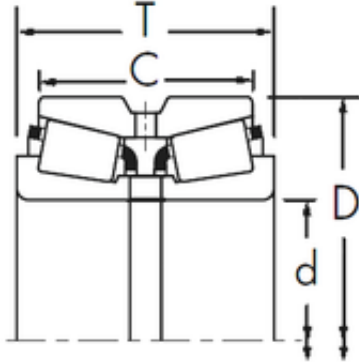




# AD Bearing Machine Co., Ltd

## Timken 390A/394D+X1s-395 Bearing 390/394D Double Row Taper Roller Bearing

Bearing No. 390A/394D+X1s-395



390A/394D+X1s-395 Bearing 2D drawings and 3D CAD models

Size	63.5x110x52.388 mm
Bore Diameter	63,5 mm
Outer Diameter	110 mm
Width	52,388 mm
d	63,5 mm
D	110 mm
T	52,388 mm
C	46,038 mm
R	1,5 mm
r	0,8 mm