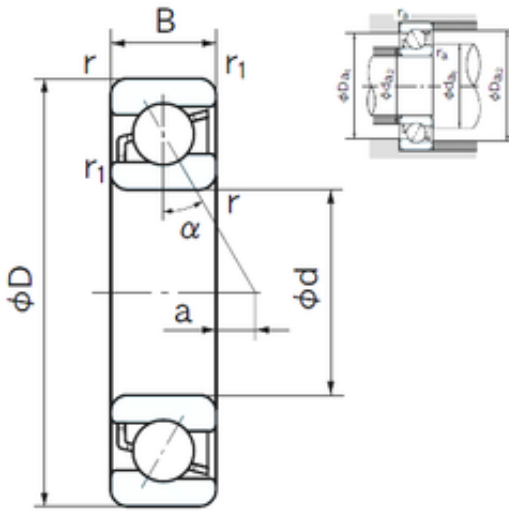




AD Bearing Machine Co., Ltd



NTN/Koyo/NSK/NACHI 7209 Angular
Contact Ball Bearings 7204, 7205, 7206, 7207, 7208
B-Tvp Begap Acd/P4adgc C AC B Type

Bearing No. 7209

7209 Bearing 2D drawings and 3D CAD models

Size	45x85x19 mm
Bore Diameter	45 mm
Outer Diameter	85 mm
Width	19 mm
d	45 mm
D	85 mm
B	19 mm
C	19 mm
Angle (°)	30 °
a	9.3 mm
r min.	1.1 mm
r1 min.	0.6 mm
da min.	52 mm
Da max.	78 mm
ra max.	1 mm
Weight	0.430 Kg
Basic dynamic load rating (C)	39,5 kN
Basic static load rating (C0)	28,8 kN
(Grease) Lubrication Speed	7000 r/min
Configuration	Single Row
Enclosure	Open
Bore Type	Cylindrical Bore
Bore Size	45 mm
Outside Diameter	85 mm



AD Bearing Machine Co., Ltd

Width	19 mm
Fillet Radius/Chamfer	1.1 mm
r1	0.6 mm
Dynamic Load Rating	39,500 N
Static Load Rating	28,800 N
Limiting Speed - Grease	7,000 rpm
Limiting Speed - Oil	9,200 rpm
da1 (min)	52 mm
da2 (min)	50 mm
Da1 (max)	78 mm
Da2 (max)	80 mm
ra (max)	1 mm
ra1 (max)	0.6 mm