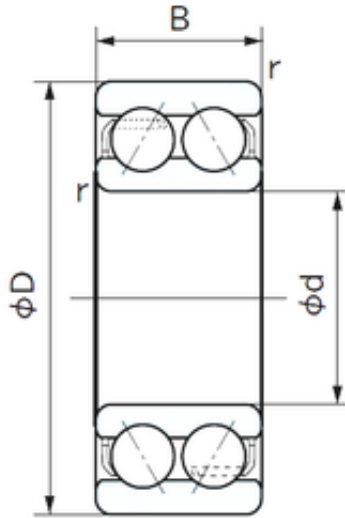




AD Bearing Machine Co., Ltd



5205 Bearing 2D drawings and 3D CAD models

NACHI Bearing Angular Contact Ball Bearings 5205

Bearing No. 5205

Size	25x52x20.6 mm
Bore Diameter	25 mm
Outer Diameter	52 mm
Width	20.6 mm
d	25 mm
D	52 mm
B	20.6 mm
C	20.6 mm
Angle (°)	30 °
r min.	1 mm
Weight	0.190 Kg
Basic dynamic load rating (C)	21,8 kN
Basic static load rating (C0)	15,1 kN
(Grease) Lubrication Speed	9500 r/min
Category	Angular Contact Ball Bearings
Inventory	1.0
Manufacturer Name	NACHI
Minimum Buy Quantity	N/A
Weight / Kilogram	0.191
EAN	4991893599589
Product Group	B00152
Enclosure	Open
Flush Ground	No
Rolling Element	Ball Bearing



AD Bearing Machine Co., Ltd

Number of Rows of Balls	Double Row
Precision Class	ABEC 1 ISO P0
Maximum Capacity / Filling Slot	No
Snap Ring	No
Cage Material	Steel
Contact Angle	20 Degree
Internal Clearance	C0-Medium
Number of Bearings	1 (Single)
Inch - Metric	Metric
Long Description	25MM Bore; 52MM Outside Diameter; 20.6MM Width; Open; No Flush Ground; Ball Bearing; Double Row of Balls; ABEC 1 ISO P0; No Filling Slot; No Snap Ring
Category	Angular Contact Ball Bearing
UNSPSC	31171531
Harmonized Tariff Code	8482.10.50.28
Noun	Bearing
Keyword String	Angular Contact
Manufacturer URL	http://www.nachi.com
Manufacturer Item Number	5205 BNLS
Weight / LBS	0.42
Width	0.811 Inch 20.6 Millimeter
Bore	0.984 Inch 25 Millimeter
Outside Diameter	2.047 Inch 52 Millimeter
Configuration	Double Row
Bore Type	Cylindrical Bore
Bore Size	25 mm
Fillet Radius/Chamfer	1 mm
Dynamic Load Rating	21,800 N
Static Load Rating	15,100 N



AD Bearing Machine Co., Ltd

Limiting Speed - Grease	9,500 rpm
Limiting Speed - Oil	13,000 rpm
Radial Clearance	0.005 to 0.020 mm
da	31 mm46 mm
Dx	58.5 mm
ra	1 mm
Cy	3.3 mm