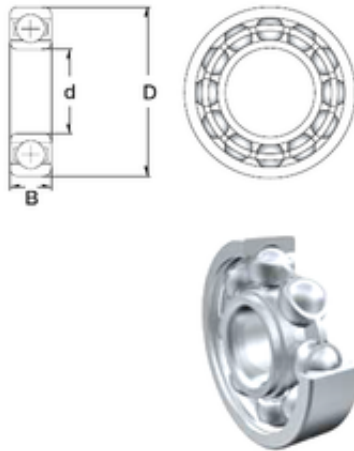




AD Bearing Machine Co., Ltd



280 mm x 420 mm x 65 mm ZEN 6056 ZEN Bearing

Bearing No. 6056

Size	280x420x65 mm
Bore Diameter	280 mm
Outer Diameter	420 mm
Width	65 mm
d	280 mm
D	420 mm
B	65 mm
C	65 mm
Weight	31 Kg
Basic dynamic load rating (C)	231,5 kN
Basic static load rating (C0)	314 kN

6056 Bearing 2D drawings and 3D CAD models