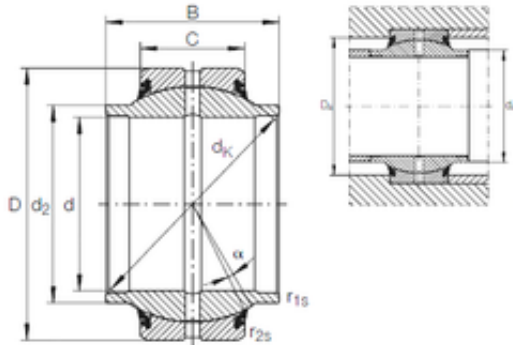




# AD Bearing Machine Co., Ltd

## 70 mm x 105 mm x 65 mm INA GE 70 HO-2RS INA Bearing



Bearing No. GE 70 HO-2RS

Size	70x105x65 mm
Bore Diameter	70 mm
Outer Diameter	105 mm
Width	65 mm
d	70 mm
D	105 mm
B	65 mm
C	40 mm
d2	78 mm
dk	92 mm
r1 min.	0,3 mm
r2 min.	1 mm
da max	78 mm
Da min	87 mm
Angle	3 °
Weight	1,6 Kg
Basic dynamic load rating (C)	315 kN

GE 70 HO-2RS Bearing 2D drawings and 3D CAD models