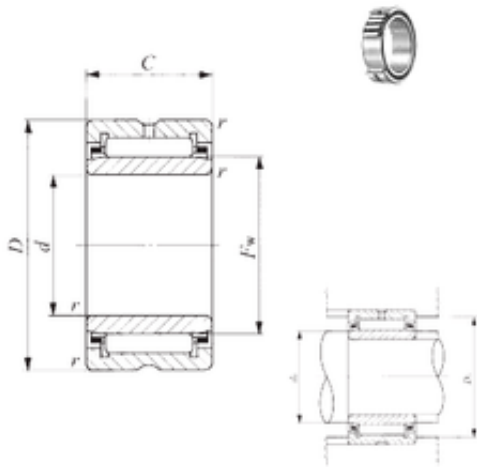




# AD Bearing Machine Co., Ltd

## 360 mm x 480 mm x 118 mm IKO NA 4972 IKO Bearing



Bearing No. NA 4972

Size	360x480x118 mm
Bore Diameter	360 mm
Outer Diameter	480 mm
Width	118 mm
d	360 mm
Fw	400 mm
D	480 mm
B	118 mm
C	118 mm
r min.	3 mm
da min.	373 mm
da max	397 mm
Da max.	467 mm
S	4 mm
Weight	60,2 Kg
Basic dynamic load rating (C)	1260 kN
Basic static load rating (C0)	3200 kN

NA 4972 Bearing 2D drawings and 3D CAD models