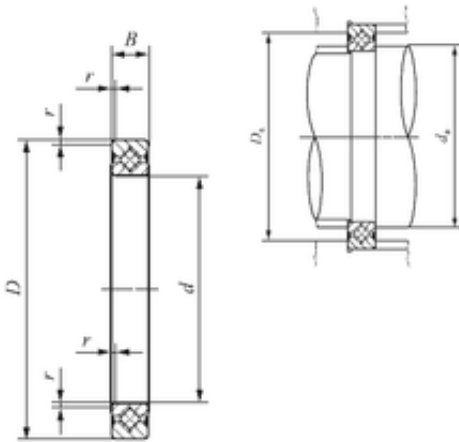




AD Bearing Machine Co., Ltd

160 mm x 186 mm x 13 mm IKO CRBS 16013 A UU IKO Bearing

Bearing No. CRBS 16013 A UU



CRBS 16013 A UU Bearing 2D drawings and 3D CAD models

Size	160x186x13 mm
Bore Diameter	160 mm
Outer Diameter	186 mm
Width	13 mm
d	160 mm
D	186 mm
B	13 mm
r min.	0.6 mm
Da	179 mm
da	166 mm
Weight	0,62 Kg
Basic dynamic load rating (C)	19,4 kN