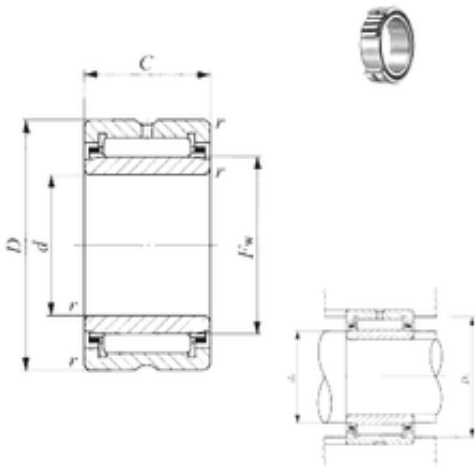




# AD Bearing Machine Co., Ltd

## 40 mm x 55 mm x 30 mm IKO TAFI 405530 IKO Bearing

Bearing No. TAFI 405530



TAFI 405530 Bearing 2D drawings and 3D CAD models

Size	40x55x30 mm
Bore Diameter	40 mm
Outer Diameter	55 mm
Width	30 mm
d	40 mm
Fw	45 mm
D	55 mm
B	30 mm
C	30 mm
r min.	0,3 mm
da min.	42 mm
da max	44 mm
Da max.	53 mm
S	0,5 mm
Weight	0,215 Kg
Basic dynamic load rating (C)	44,6 kN
Basic static load rating (C0)	95,8 kN