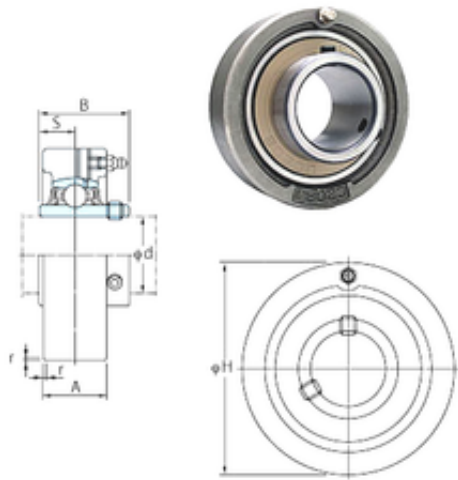




AD Bearing Machine Co., Ltd

FYH UCCX08 FYH Bearing

Bearing No. UCCX08



UCCX08 Bearing 2D drawings and 3D CAD models

Bore Diameter	40 mm
Width	49,2 mm
d	40 mm
r	2 mm
A	38 mm
B	49,2 mm
H	120 mm
S	19 mm
Weight	2,3 Kg
Basic dynamic load rating (C)	34,1 kN
Basic static load rating (C0)	21,3 kN