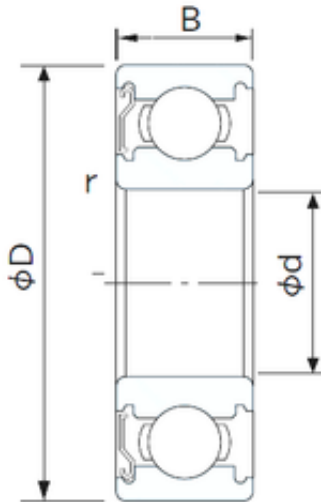




AD Bearing Machine Co., Ltd



10 mm x 26 mm x 8 mm CYSD 6000-Z CYSD Bearing

Bearing No. 6000-Z

Size	10x26x8 mm
Bore Diameter	10 mm
Outer Diameter	26 mm
Width	8 mm
d	10 mm
D	26 mm
B	8 mm
C	8 mm
r min.	0,3 mm
Weight	0,01 Kg
Basic dynamic load rating (C)	4,58 kN
Basic static load rating (C0)	1,97 kN
(Grease) Lubrication Speed	31000 r/min

6000-Z Bearing 2D drawings and 3D CAD models