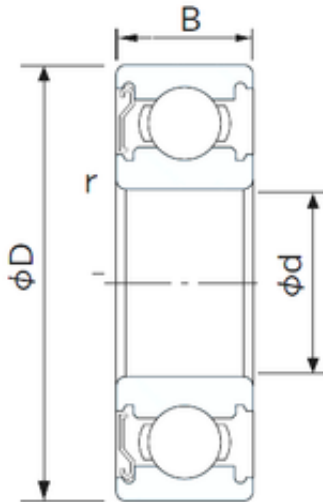




AD Bearing Machine Co., Ltd



50 mm x 110 mm x 27 mm CYSD 6310-Z CYSD Bearing

Bearing No. 6310-Z

Size	50x110x27 mm
Bore Diameter	50 mm
Outer Diameter	110 mm
Width	27 mm
d	50 mm
D	110 mm
B	27 mm
C	27 mm
r min.	2 mm
Weight	1,08 Kg
Basic dynamic load rating (C)	61,8 kN
Basic static load rating (C0)	38,1 kN
(Grease) Lubrication Speed	6000 r/min

6310-Z Bearing 2D drawings and 3D CAD models