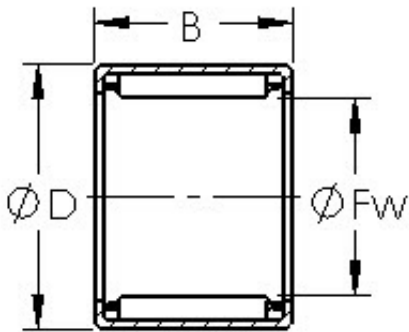




# AD Bearing Machine Co., Ltd



## AST SCE2420 AST Bearing

Bearing No. SCE2420

Bore Diameter	38,1 mm
Outer Diameter	47,625 mm
Width	31,75 mm
Bearing Type	Cage Retained Rollers
Outer Dia (D)	1.8750
Width (B)	1.2500
Dynamic Load Rating (Cr)	10,600
Static Load Rating (Cor)	19,200
Max Speed (Grease) (X1000 RPM)	7,400
Shaft (Fw)	1.500
Weight (g)	105.00
Material - Drawn cup: Hardened carbon steel alloy, Rollers	52100 Chrome steel or equivalent

SCE2420 Bearing 2D drawings and 3D CAD models