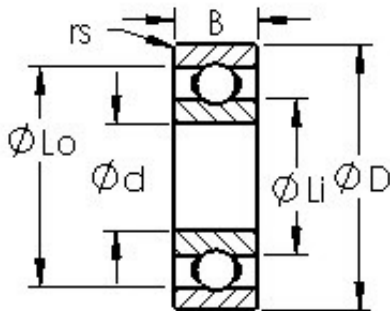




AD Bearing Machine Co., Ltd



AST SMR106 AST Bearing

Bearing No. SMR106

Size	6x10x2.5 mm
Bore Diameter	6 mm
Outer Diameter	10 mm
Width	2,5 mm
Bearing Type	Open
Bore Dia (d)	6.0000
Outer Dia (D)	10.0000
Width (B)	2.5000
Radius (min) (rs)	0.150
Dynamic Load Rating (Cr)	422
Static Load Rating (Cor)	174
Max Speed (Grease) (X1000 RPM)	45
Max Speed (Oil) (X1000 RPM)	53
Max. Shaft Shoulder Dia. Inner (Li)	7.0
Min. Housing Shoulder Dia., Outer (Lo)	8.9
Ball Qty	10
Ball Dia (Dw)	1.2000
Weight (g)	0.55
Precision	A1
Standard Clearance	K25
Material	Martensitic Stainless Steel

SMR106 Bearing 2D drawings and 3D CAD models