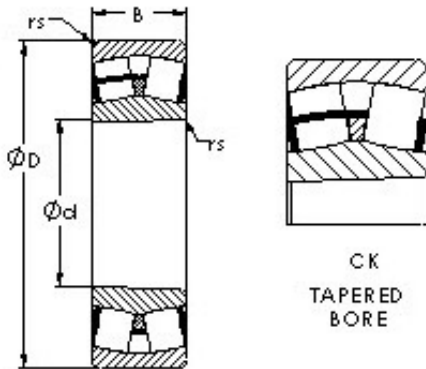




AD Bearing Machine Co., Ltd



AST 23036CK AST Bearing

Bearing No. 23036CK

Size	180x280x74 mm
Bore Diameter	180 mm
Outer Diameter	280 mm
Width	74 mm
Bearing Type	tapered bore
Bore Dia (d)	180.0000
Outer Dia (D)	280.0000
Width (B)	74.0000
Radius (min) (rs)	2.100
Dynamic Load Rating (Cr)	870,000
Static Load Rating (Cor)	1,500,000
Max Speed (Grease) (X000 RPM)	1
Max Speed (Oil) (X1000 RPM)	2
Weight (g)	18,360.00
Material	52100 Chrome steel, or equivalent

23036CK Bearing 2D drawings and 3D CAD models